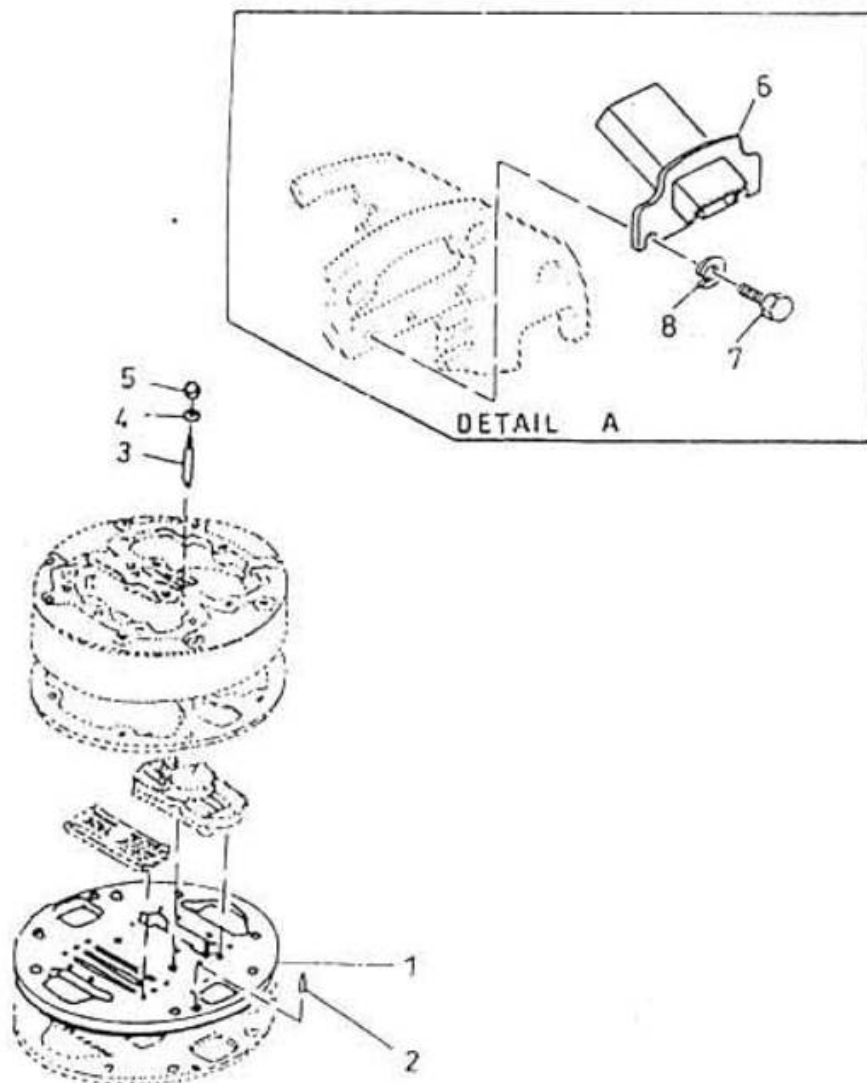


15. Assembly Plate Port Outer End - Model 7 x 5 LUB



All manufacturer's names, numbers, photos, product description and/or part numbers are used for reference purposes only & it is not implied that any part listed is the product of these manufacturers. Since Approvement are made from time to time, the illustration and specifications are subject to change without notice.

15. Assembly Plate Port Outer End - Model 7 x 5 LUB

COMPRESSOR PARTS LIST						
ASSEMBLY NAME : ASSEMBLY PLATE PORT OUTER END						
ASSEMBLY DRAWING : FIG-2D						
COMPRESSOR MODEL			7 X 5 LUB	QTY	ILLUS. NO.	RECOM. SPARES QTY
SUB ASSEMBLY NO.			7032 7705			
SR. NO.	DESCRIPTION	PART NO.				
1	PLATE PORT OUTER END	3433 9838	1	1		
2	PIN ROLL 3/8" X 1-3/4"	9509 8703	2	2		
3	STUD 1/2" X 5-1/2"	9521 1892	2	3		
4	GASKET COPPER WASHER 1/2"	3075 6068	2	4		2
5	NUT CAP 1/2"	9510 8239	2	5		
6	CHOKE TUBE	---	1	6		
7	SCREW CAP HEX HEAD 3/8" X 3/4"	---	2	7		
8	WASHER SPRING 3/8	---	2	8		